

IDEAL 4000

1.4

U_w for $U_g = 1.1$
(aluminum spacer bar)

1.4

U_i [W/m²K]

2

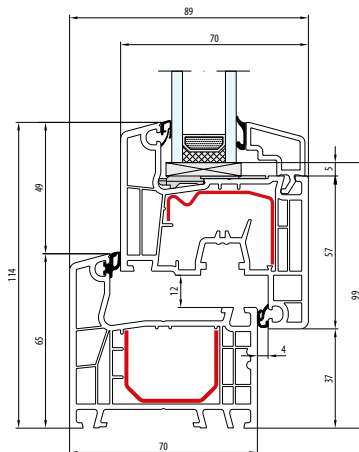
gaskets

5

chambres

70-162

construction depth
[mm]



R

Renovation profile

M

Monoblock profile

A

Aluminum cover

CL

Classic-line

RL

Round-line

IDEAL 4000 NEW

1.3

U_w for $U_g = 1.1$
(aluminum spacer bar)

1.3

U_i [W/m²K]

2

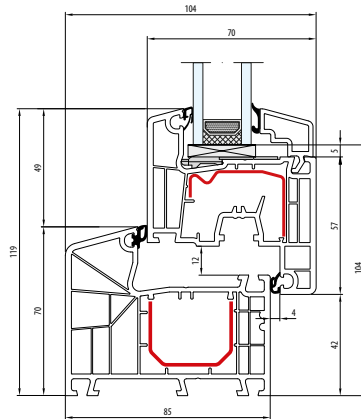
gaskets

5/6

chambres

85

construction depth
[mm]



CL

Classic-line

RL

Round-line



IDEAL 5000

1.3

U_w for $U_g=1.1$
(aluminum spacer bar)

1.2

U_i [W/m²K]

3

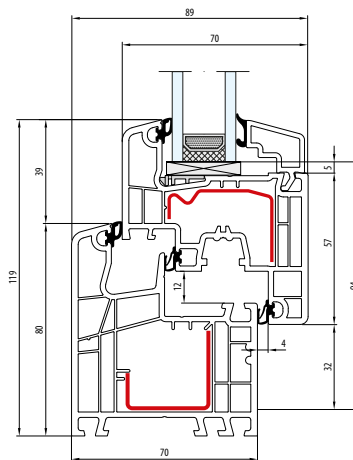
gaskets

5

chambres

70

construction depth
[mm]



R

Renovation profile

A

Aluminum cover

CL

Classic-line

RL

Round-line

IDEAL 7000 NEW

1.3

U_w for $U_g = 1.1$
(aluminum spacer bar)

1.1

U_g [W/m²K]

2

gaskets

6

chambres

85

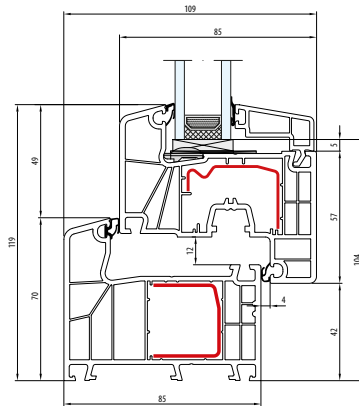
construction depth
[mm]

A

Aluminum cover

CL

Classic-line



IDEAL 8000

0.83

U_w for $U_g=0.5$
(aluminum spacer bar)

1.0

U_i [W/m²K]

3

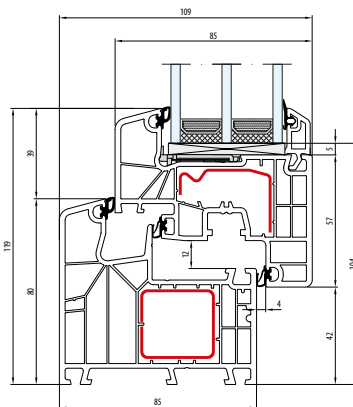
gaskets

6

chambres

85

construction depth
[mm]



A

Aluminum cover

CL

Classic-line

RL

Round-line

IDEAL 8000 ENERGETO

0.81

U_w for $U_g=0.5$
(aluminum spacer bar)

0.94

U_i [W/m²K]

3

gaskets

6

chambres

85

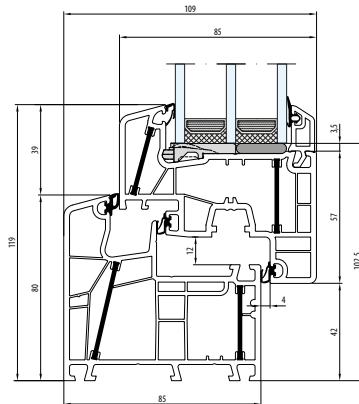
construction depth
[mm]

A

Aluminum cover

CL

Classic-line



ENERGETO NEO

0.86

U_w for $U_g=0.5$
(aluminium spacer bar)

1.1

U_i [W/m²K]

3

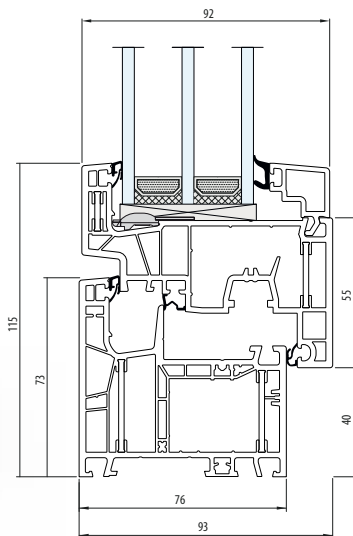
gaskets

6

chambres

76

construction depth
[mm]



QL

Qube-line

IDEAL NEO MD

0.79

U_w for $U_g=0.5$
(Ultimate spacer bar)

1.2

U_f [W/m²K]

3

gaskets

5/6

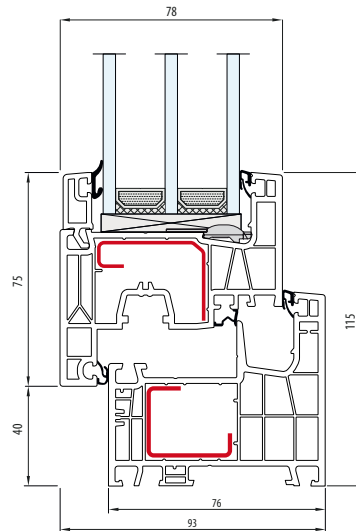
chambres

76

construction depth
[mm]

QL

Qube-line



IDEAL NEO **AD**

0.80

U_w for $U_g=0.5$
(Ultimate spacer bar)

1.2

U_i [W/m²K]

2

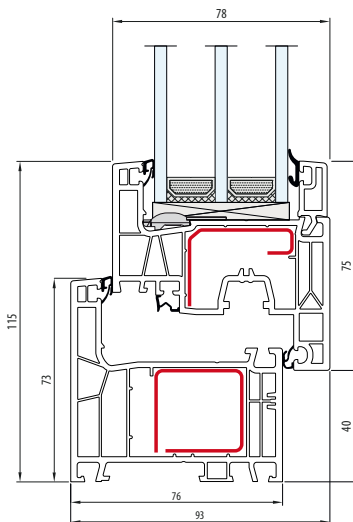
gaskets

5/6

chambres

76

construction depth
[mm]



QL

Qube-line

IDEAL 7000 NL

0.83

U_w for $U_g=0.6$
(aluminum spacer bar)

1.1

U_f [W/m²K]

2

gaskets

5

chambres

120

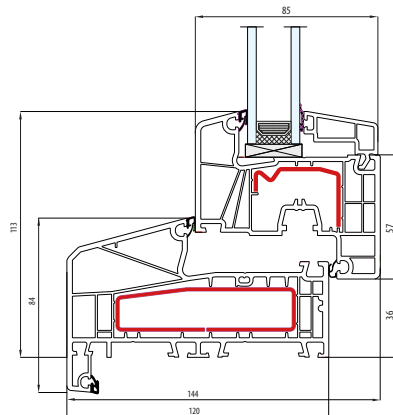
construction depth
[mm]

A

Aluminum cover
(opening)

CL

Classic-line



NORDLINE

1.4

U_w for $U_g = 1.1$
(aluminum spacer bar)

1.5

U_i [W/m²K]

2

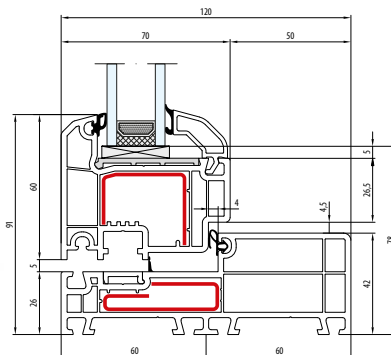
gaskets

4/5

chambres

120

construction depth
[mm]



CL

Classic-line

IDEAL 70

1.4

U_w for $U_g=1.1$
(aluminum spacer bar)

1.4

U_f [W/m²K]

2

gaskets

5

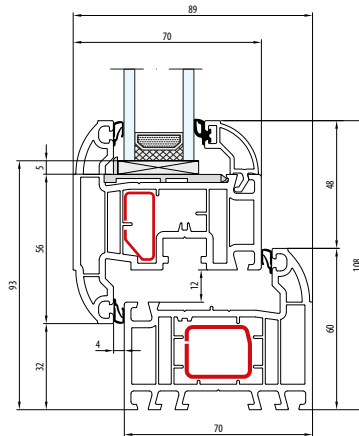
chambres

70

construction depth
[mm]

RL

Round-line



IDEAL 4000 CASEMENT

1.3

U_w for $U_g = 1.1$
(aluminum spacer bar)

1.3

U_i [W/m²K]

2

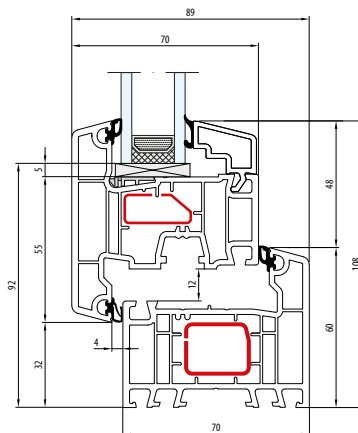
gaskets

5

chambres

70

construction depth
[mm]



CL

Classic-line

ALUPLAST GLAZING BEADS

CLASSIC-LINE



SOFT-LINE



ROUND-LINE



QUBE-LINE



FILLING WIDTH [mm]

10-39

24-39

24-35

10-42

Ideal 4000, Ideal 4000 NEW, Ideal 5000, Nordline (Dormant), Ideal 70, Ideal 4000 Casement

20-49

34-49

34-45

20-52

Ideal 7000, Ideal 8000, Energeto 8000, Nordline (Frame)

17-46

31-46

31-42

17-48

Ideal 4000 (Sash 140x27)

22-50

—

—

22-54

Ideal NEO AD/MD

—

—

—

36-68

Energeto NEO